

# DYNAPRO SOFT-CLOSE

Full extension slide 40/70 kg



- Excellent running characteristics
- Fully synchronised slide technology
- Soft-close damping system
- Utmost lateral stability
- Minimum drawer deflection
- Stepless self-locking of the drawer when placed on the slide
- Tool-free 4D adjustment facility:
  - Height adjustment +3.5 mm
  - Side adjustment  $\pm 1.5$  mm
  - Tilt angle adjustment +4 mm
  - Depth adjustment +3.5 mm

#### Packaging unit (PU):

- 204 = 5 units in a cardboard box
- 208 = 12 units in a cardboard box
- 210 = 15 units in a cardboard box
- 211 = 20 units in a cardboard box
- 233 = 200 units in a cardboard box
- 517 = 50 units in PE in a cardboard box
- 533 = 200 units in PE in a cardboard box

## ORDER INFORMATION

| 1 Dynapro full extension slide<br>Soft-close<br>Set: One left, one right |            |     |     |            |     |     |
|--|------------|-----|-----|------------|-----|-----|
| NL   | 40 kg      |     |     | 70 kg      |     |     |
|  | Art.-no.   | PU  |     | Art.-no.   | PU  |     |
| 250  | F130107790 | 204 | 211 | -          |     |     |
| 270  | F130107793 | 204 | 211 | -          |     |     |
| 300  | F130107796 | 204 | 211 | -          |     |     |
| 320  | F130107799 | 204 | 211 | -          |     |     |
| 350  | F130107802 | 204 | 211 | -          |     |     |
| 380  | F130107805 | 204 | 211 | -          |     |     |
| 400  | F130107808 | 204 | 211 | -          |     |     |
| 420  | F130107811 | 204 | 211 | -          |     |     |
| 450  | F130107814 | 204 | 210 | F130107832 | 204 | 210 |
| 480  | F130107817 | 204 | 210 | -          |     |     |
| 500  | F130107820 | 204 | 210 | F130107838 | 204 | 210 |
| 520  | F130107823 | 204 | 210 | F130107841 | 204 | 210 |
| 550  | F130107826 | 204 | 210 | F130107844 | 204 | 210 |
| 580  | -          |     |     | F130107847 | 204 | 208 |
| 600  | F130107829 | 204 | 208 | F130107850 | 204 | 208 |
| 650  | -          |     |     | F130107853 | 204 | 208 |
| 700*   | -          |     |     | F130107856 | 204 | 208 |
| 750*   | -          |     |     | F130107859 | 204 | 208 |

\* Load capacity 50 kg

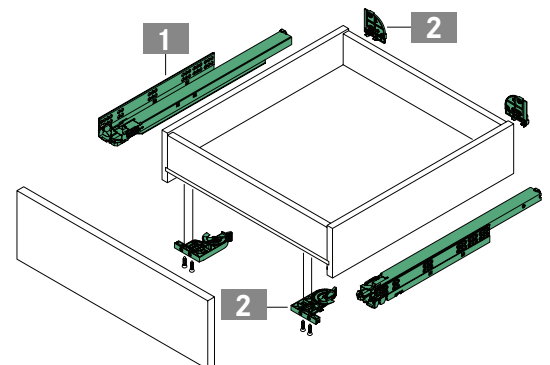
| Individual components                                 |            |     |     |
|---|------------|-----|-----|
| Description   | Art.-no.   | PU  |     |
| Front locking device (1D)<br>Set: One left, one right | F134101220 | 233 | 517 |
| Front locking device (2D)<br>Set: One left, one right | F134108949 | 233 |     |
| Front locking device (3D)<br>Set: One left, one right | F134108946 | 233 |     |
| Adjustment adapter (1D)<br>Set: One left, one right   | F134108952 | 233 |     |

| Optional: Depth adjustment (1D)<br>for front locking device (2D)<br>Set: One left, one right |     |  |  |
|--|-----|--|--|
| Art.-no.   | PU  |  |  |
| F134108957   | 533 |  |  |

| 2a Dynapro 4D set<br>Front locking device (3D) and<br>adjustment adapter (1D),<br>one of each left/right |     |  |  |
|--|-----|--|--|
| Art.-no.   | PU  |  |  |
| F134108955   | 517 |  |  |

| 2b Dynapro 3D-Set<br>Front locking device (2D) and<br>adjustment adapter (1D),<br>one of each left/right |     |  |  |
|--|-----|--|--|
| Art.-no.   | PU  |  |  |
| F134108956   | 517 |  |  |

| 2c Dynapro 2D set<br>Front locking device (1D) and<br>adjustment adapter (1D),<br>one of each left/right |     |  |  |
|--|-----|--|--|
| Art.-no.   | PU  |  |  |
| F134117193   | 517 |  |  |



## PAGE REFERENCES

|                       |    |               |    |                |    |
|-----------------------|----|---------------|----|----------------|----|
| Pull-out shelf        | 18 | Assembly aids | 24 | Packaging code | 75 |
| Technical information | 20 | Sensomatic    | 27 |                |    |

PLANNING DIMENSIONS

All dimensions in millimetres

**Installation dimensions**

$LWS = (LWK - 42)^{+0}_{-1.5}$   
min. LWS = 138 mm (3D/4D)  
145 mm (2D)

$SKL = NL - 10 \pm 0.5$   
 $MET = NL + 3$

**Drawer**

**Inset drawer**

| NL  | SKL | MET |
|-----|-----|-----|
| 250 | 240 | 253 |
| 270 | 260 | 273 |
| 300 | 290 | 303 |
| 320 | 310 | 323 |
| 350 | 340 | 353 |
| 380 | 370 | 383 |
| 400 | 390 | 403 |
| 420 | 410 | 423 |
| 450 | 440 | 453 |
| 480 | 470 | 483 |
| 500 | 490 | 503 |
| 520 | 510 | 523 |
| 550 | 540 | 553 |
| 580 | 570 | 583 |
| 600 | 590 | 603 |
| 650 | 640 | 653 |
| 700 | 690 | 703 |
| 750 | 740 | 753 |

**Locking device fixing position**

**Adjustment adapter fixing position**

**Fixing positions for full extension slide**

Euro screw  $\varnothing 6.3 \times 14$  mm  
Chipboard screw  $\varnothing 4 \times 16$  mm  
Screw head  $\varnothing 7$  mm

LEGEND

|                                  |                                       |                            |
|----------------------------------|---------------------------------------|----------------------------|
| <b>HV</b> Height adjustment      | <b>MET</b> Minimum installation depth | <b>SV</b> Side adjustment  |
| <b>KV</b> Front edge of cabinet  | <b>NL</b> Nominal length              | <b>TV</b> Depth adjustment |
| <b>LWK</b> Inside cabinet width  | <b>NV</b> Tilt angle adjustment       |                            |
| <b>LWS</b> Internal drawer width | <b>SKL</b> Length of drawer           |                            |